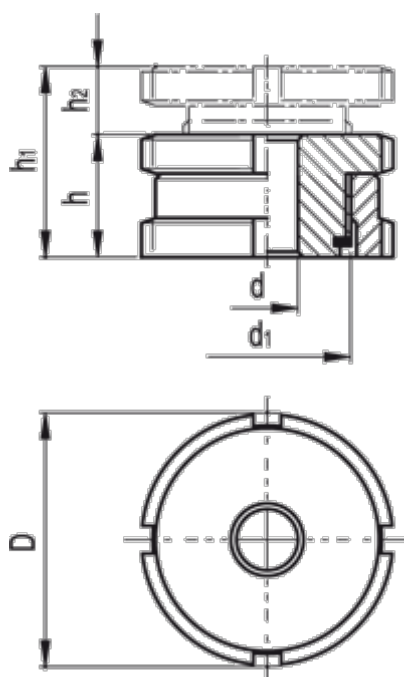


Article number: 20664212A

Description: E+G Levelling set
GN 350.1-45-11-ST

Measures



C-spanner DIN 1810 = A45-50

d = 11.0

D = 45

d1 = M30x1

For screw = M10

h = 22

h1 = 29

h2 = 7

Max static load (N) = 120.0

Static preload (N) = 92.9

Weight (g) = 216